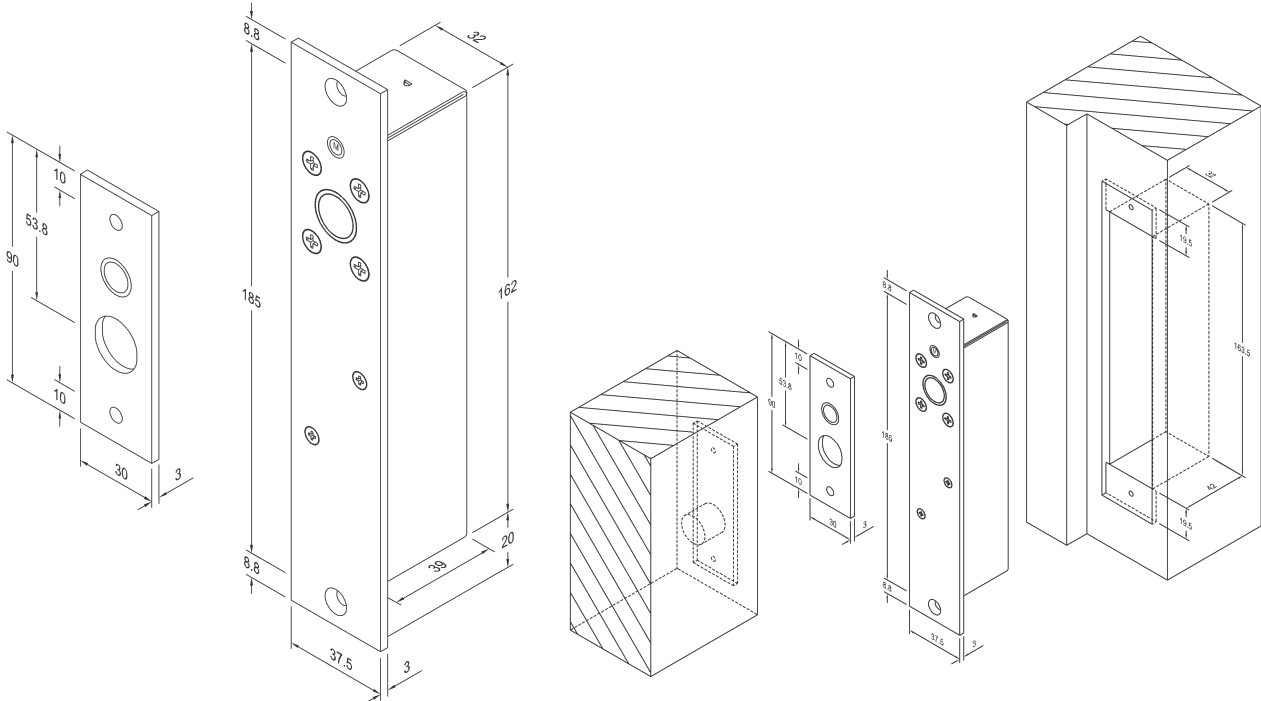


TB38 Drop Bolt



TB38 Drop Bolt Technical Information

Voltage	12 to 24V
Current (Start)	1400mA @ 12V, 1100mA @ 24V
Current (Holding)	260mA @ 12V, 105mA @ 24V
Holding Force	2000kg
Locking Mode	PTL & PTO
Dimensions (Mortice)	164 x 33mm
Bolt Length	14.3 x 14mm
Faceplate Size	202 x 38mm
Monitoring Contacts	Bolt & Door

Specification Statement

The bolt must be able to operate in horizontal and vertical orientations. The position of the bolt must be monitored as well as have an integrated reed switch for door position monitoring. The electronic functions must include: 8 x lock and unlock attempts, 8 second unlock delay, automatic relock after 8 seconds, power reduction circuitry to limit the holding current, and a one time thermal fuse cut-out in case of solenoid overheating. Locking function can be converted from Power to Lock (PTL) to Power to Open (PTO). The faceplate and strike plate must be finished in stainless steel.

Ordering Information

Product Description	Part Number
TB38 12-24VDC Fail Safe	188381-010